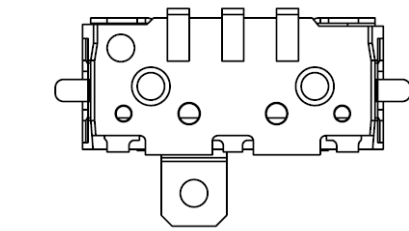
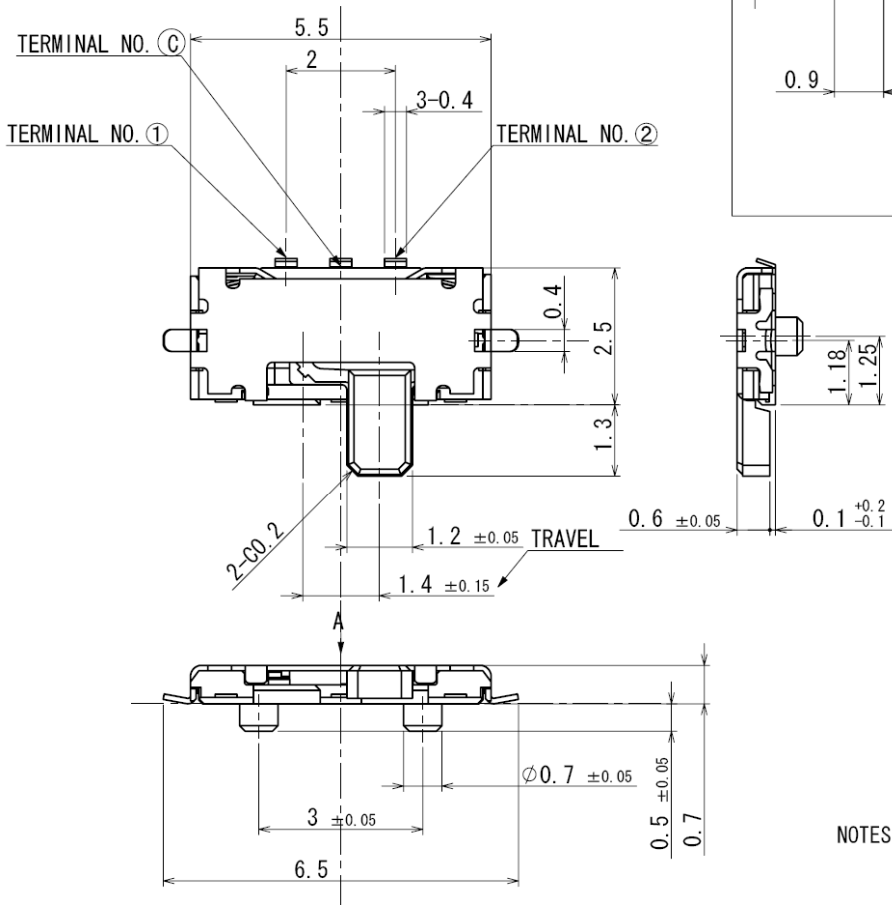
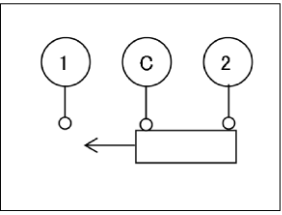


**CIRCUIT DIAGRAM**  
SEE DIRECTION "A"



2. CHANGEOVER TIMING OF CONTACTS : NOT SPECIFIED

NOTES 1. OPERATING FORCE :  $1.5 \pm 1N$

TOLERANCES UNLESS OTHERWISE	
BASIC DIMENSION	TOLERANCE
UP TO 4	$\pm 0.2$
ABOVE 4 TO 16	$\pm 0.3$
ABOVE 16 TO 63	$\pm 0.4$
ABOVE 63 TO 250	$\pm 0.5$
ABOVE 250	$\pm 0.7$
ANGULAR DIMENSION	$\pm 5^\circ$



銓基電子股份有限公司  
ROKI ELECTRONICS CO., LTD.

PART NAME : SLIDE SWITCH

PART NO : SM12007-PF

TOLERANCE : mm

SCALE :

UNIT : mm

VER : R01

